

SAFES STARPRIM

Lockable Compartment Height = 180 mm and 360 mm

Safes STARPRIM with single door

Specification of lockable compartment:

- 1 pc Door with frame
- 1 pc Bottom
- 8 pc Self-tapping screws 3,5 x 9,5 DIN 7504 N

Assembly procedure:

STEP 1:

- 1.1 Place the door with frame inside the safe as shown in Figure 1.
Dimension A - see Table 1.
- 1.2 Fix the frame into side walls and top wall with self-tapping screws 3,5 x 9,5 DIN 7504 N (3x).

Safe	A (mm)
Starprim 1,2,3,4	127
Starprim 1/N SM	102
Starprim 2/N	117
Starprim 5	173

Table 1

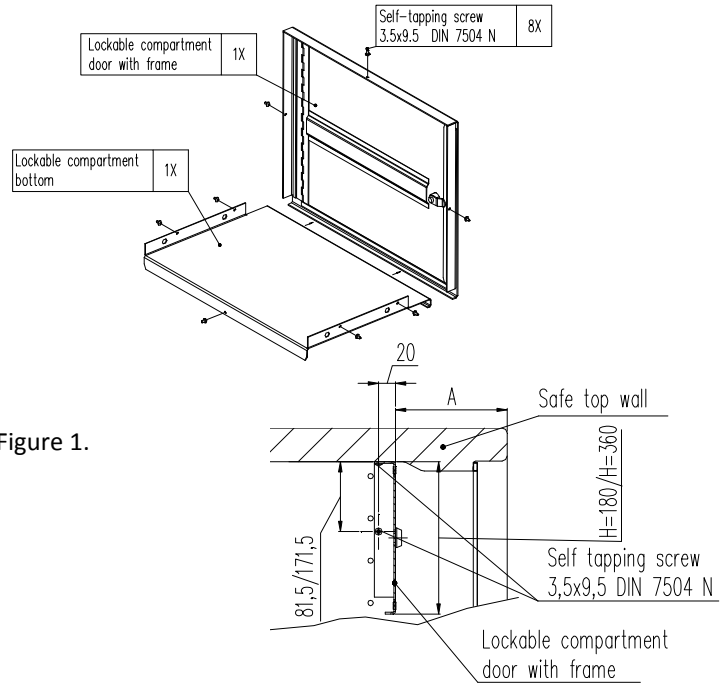
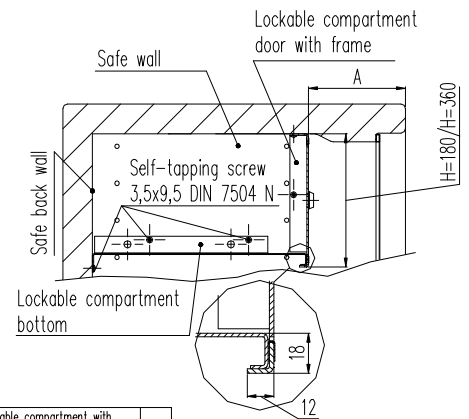


Figure 1

STEP 2:

- 2.1 Place the bottom inside the safe as shown in Figure 2.
- 2.2 Fix the bottom into side walls and back wall of safe with self-tapping screws 3,5 x 9,5 DIN 7504 N (5x)

Figure 2



Safes STARPRIM with double doors

Specification of lockable compartment:

- 1 pc Assembled lockable compartment with double doors
- 6 pc Self-tapping screws 4,8 x 9,5 DIN 7504 N

Assembly procedure:

1. Place the assembled lockable compartment inside the safe as shown in Figure 3.
Dimension A - see Table 1.
2. Fix assembled lockable compartment into side walls with self-tapping screws 4,8 x 9,5 DIN 7504 N (6x).

Figure 3

